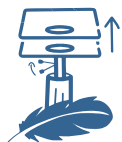


PHILIPS EFFICA ARM

3-0047



Ergonomic

Simple, lightweight, easy to use



Smooth and easy to clean surfaces

Quick and easy cleaning



Durable

Lifetime Warranty



Quick and easy assembly

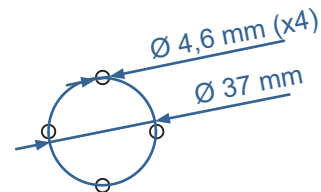


Accessories

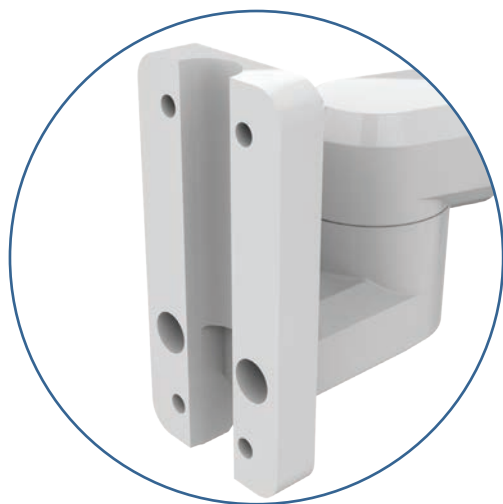


Rack Mounting Plate

Pictures are illustration and accessories are not included in the standard configuration.



*Quick Release Plate
(Part Number.: QRA1)*



Cable management



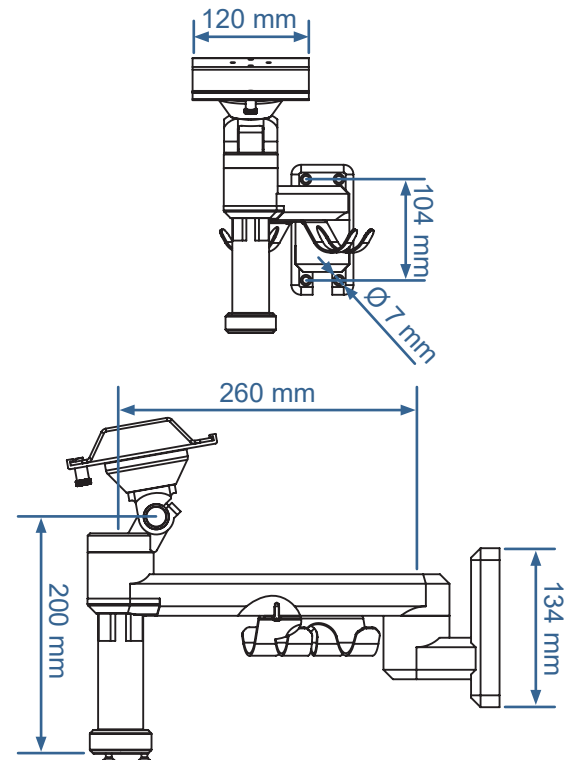
Specifications



Mechanical Data	
Height	200 mm
Wall Mounting Height	134 mm
Arm length	260 mm
Construction	
Main assembly	Aluminium
Color	
RAL 9016	
Certificates	
Certificates conforms to	IEC60601-1:2012 (Edition 3)
CE	Rohs compliant

Technical characteristics

- Fully recyclable
- Lifetime Warranty
- Made in Hungary



Pictures are illustration and accessories are not included in the standard configuration.



Rack Mounting Plate

