

TC-10 CART

3-0062



Ergonomic

Simple, lightweight, easy to use



Smooth and easy to clean surfaces

Quick and easy cleaning



Multi purpose

Large range of accessories to improve the functionality



Durable

Lifetime Warranty



Quick and easy assembly



Accessories



Storage Bin

(Part Number.: ST3-C2)



Large Basket

(Part Number.: ST2-C2)





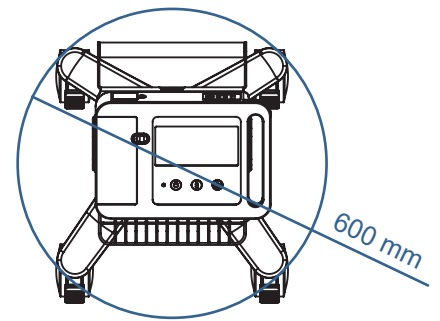
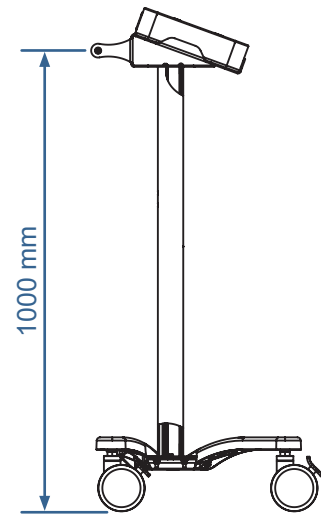
Cable Hook

(Part Number.: CH1-C2)

Specifications



Mechanical Data	
Height	1000 mm
Base dimension	600 mm (diameter)
Wheel construction	Polyamide with Polyurethane tread
Wheels / Locking	4 lockable, 100 mm diameter
Loading capacity	20 kg
Construction	
Main assembly	Aluminium
Color	
RAL 9016	
Custom Color	
Certificates	
Certificates conforms to	IEC60601-1:2012 (Edition 3)
CE	Rohs compliant



Technical characteristics	
- Fully recyclable	
- Lifetime Warranty	
- Made in Hungary	

TC-10 Holder



Handle

